

CD (Compact Disc) LABEL PRINTING

Each CD order includes two standard PMS (Pantone Matching System) colors. Up to six colors can be printed on a disc. Colors may vary slightly due to the nature of the inks used, as well as if you print on the reflective of the disc or over a white base coat. If your image is printed on the white base coat, that is considered one of the two printed colors included in your CD price.

Custom matching of colors, fluorescence, metallic, and pearlescent are available at an additional charge.

Process Printing (cyan, magenta, yellow, and black) print with a white base coat, and therefore is priced as a five color job.

Trapping of at least .5 point is necessary anywhere two or more colors touch on the artwork.

Halftones at 85 - 100 line screen (dots per inch) print best for spot colors. Process colors (cyan, magenta, yellow, and black) halftones from 100 - 120 line screen print best. Elliptical dots print better than round dots.

Screen Tints should be a tone of 20 - 80%.

Fonts/Type such as sans serif should not be smaller than 6 points. Serif fonts should not be smaller than 8 points. Printed smaller, the detail of the characters may be lost. Type dropping out of a 4-color process image should be no smaller than 8 points. Type created by several layers of colors should be no smaller than 10 points. Avoid using Trademark and Registration symbols smaller than 6 points in height, as they may not print.

Lines used in logos, borders, or anywhere on the printed surface should not be less than .5 point.

PRINTABLE AREAS

The drawings below illustrate three areas on the disc that are printable.

- In the area between 116mm and 46mm. (Figure 1)
- In the area between 116mm and 37mm (Figure 2)
- In the area between 116mm and 37mm and then between 32mm to 20mm* The area between 32mm and 20mm is clear as there is no reflective coating in this area. Colors may appear different in this area unless a white flood coat is applied to the entire disc. (Figure 3)
- Artwork printing inside the 46mm dimension must allow for a stacking ring. Stacking ring outside dimensions are 37mm and inside dimensions are 32mm. No printing will occur between the stacking ring dimensions. The inside dimension for artwork is 20mm. No printing will occur inside of the 20mm area.

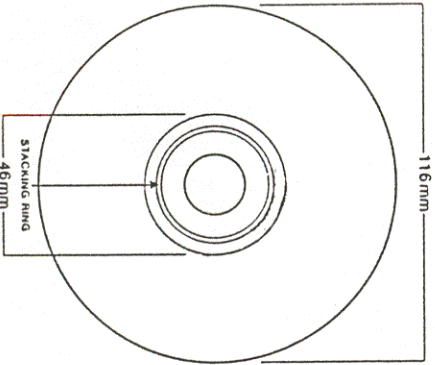


Figure 1

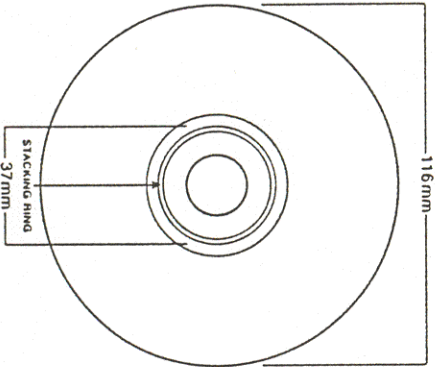


Figure 2

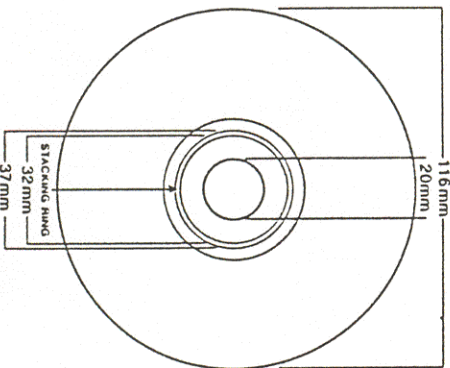


Figure 3